

- 1
- 2
- 3
- 4
- 5
- 6
- 7
- 8
- 9
- 10
- 11
- 12
- 13
- 14
- 15
- 16
- 17
- 18
- 19

VERSIONS

- Type **B**: without rest position, without lock nut
- Type **BK**: without rest position, with lock nut
- Type **C**: with rest position, without lock nut
- Type **CK**: with rest position, with lock nut

Threaded body
 AISI 303 stainless steel **NI**

Plunger
 Stainless steel AISI 431, hardened

Knob
 Polyamide based (PA) technopolymer
 - Black, matte finish
 - Not removable

Grub screw DIN 916
 Stainless Steel AISI 304

Compression spring
 Stainless steel AISI 301

Hexagon nut ISO 8675
 Stainless Steel AISI 304

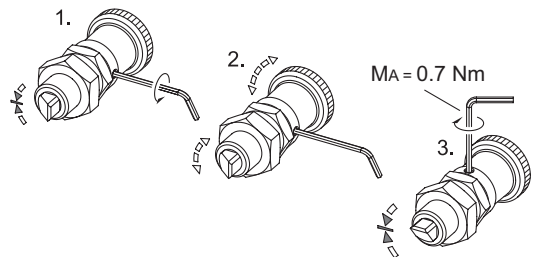


INFORMATION

Indexing plungers GN 824 have a plunger pin with square cross-section, a latching surface on one side and a chamfer on the other. When moving in the direction of the chamfered pin, the plunger pin passes over grooves and edges, as the chamfered pin moves the plunger pin into the guide. The plunger pin automatically latches into place when moved toward the latching surface. The latching can be released by pulling the knob.

Type C / CK indexing plungers with rest position are used for applications when the plunger pin is temporarily not to engage. In that case, the knob is retracted and afterwards turned by 90°. A notch keeps the plunger in this position.

When the grub screw is not tightened, the orientation of the bevel can be freely adjusted over a range of 360°. This can be identified by the marking on the indexing plunger guide.



ASSEMBLY INSTRUCTION

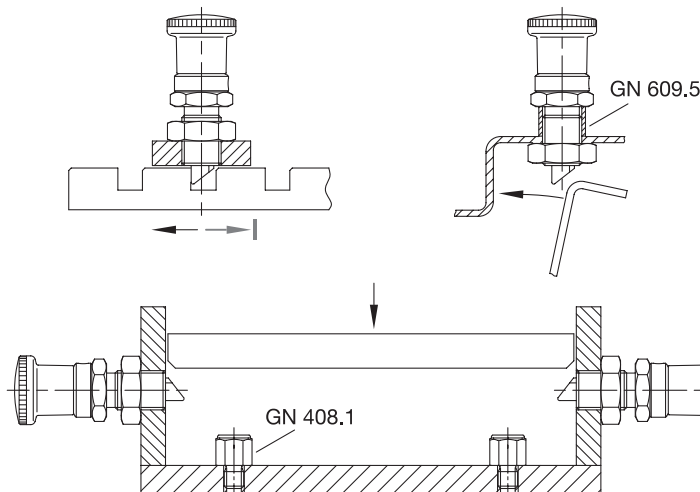
The position of the latching surface can be freely adjusted by 360°.

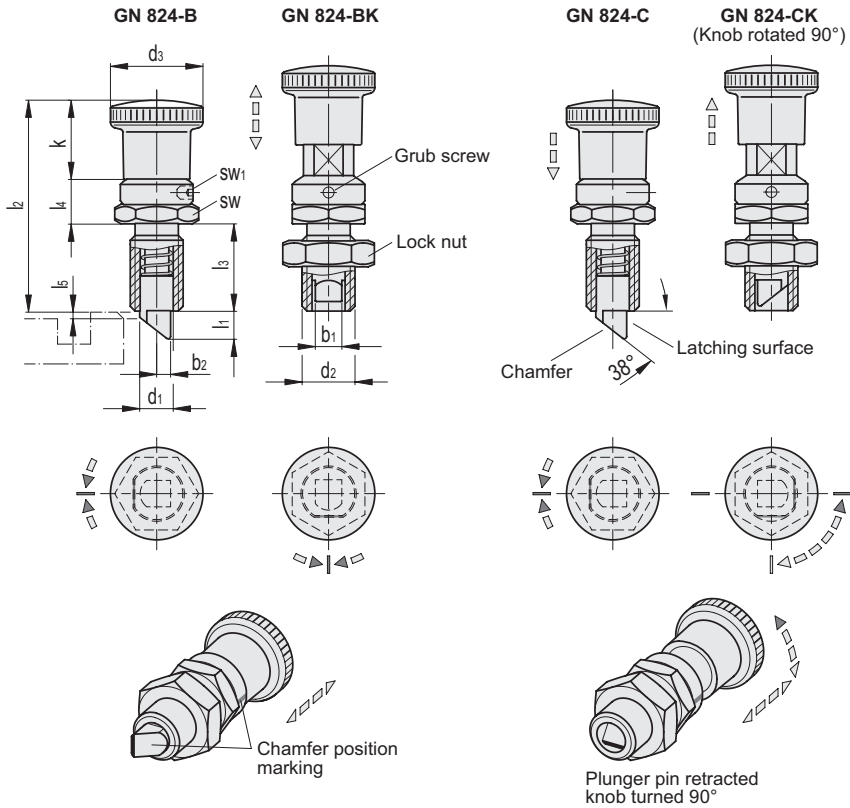
Installation steps:

1. Loosen the grub screw with a hex key.
2. Turn the knob to move the latching surface in the desired position.
3. Tighten the grub screw with a hex key.

ACCESSORIES ON REQUEST

Distance Bushings GN 609.5 (see page).





GN 824-B

Code	Description	d1													Spring preload [N]	Spring max load [N]	
		Plunger -0.02 -0.04 Hole H8	d2	d3	b1	b2	k	l1	l2	l3	l4	l5	sw	sw1		⚖	
GN.82201	GN 824-5-5-B-NI	7	M 12 x 1.5	23	5	2.5	20	5	51.3	20	11.3	1	17	2	9	18	48
GN.82203	GN 824-6-6-B-NI	8	M 16 x 1.5	28	6	3	24	6	61.5	24	13.5	1.2	22	2	13	23	56
GN.82205	GN 824-8-7,5-B-NI	10	M 16 x 1.5	28	8	4	24	7.5	61.5	24	13.5	1.2	22	2	15	31	98
GN.82207	GN 824-9-8,5-B-NI	12	M 20 x 1.5	33	9	4.5	28	8.5	72.8	30	14.8	1.2	24	2	19	34	159

GN 824-BK

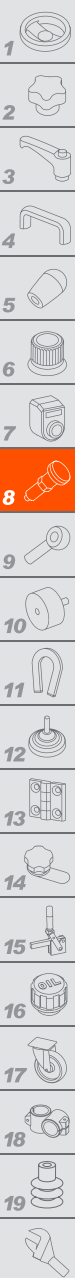
Code	Description	d1													Spring preload [N]	Spring max load [N]	
		Plunger -0.02 -0.04 Hole H8	d2	d3	b1	b2	k	l1	l2	l3	l4	l5	sw	sw1		⚖	
GN.82211	GN 824-5-5-BK-NI	7	M 12 x 1.5	23	5	2.5	20	5	51.3	20	11.3	1	17	2	9	18	56
GN.82213	GN 824-6-6-BK-NI	8	M 16 x 1.5	28	6	3	24	6	61.5	24	13.5	1.2	22	2	13	23	75
GN.82215	GN 824-8-7,5-BK-NI	10	M 16 x 1.5	28	8	4	24	7.5	61.5	24	13.5	1.2	22	2	15	31	116
GN.82217	GN 824-9-8,5-BK-NI	12	M 20 x 1.5	33	9	4.5	28	8.5	72.8	30	14.8	1.2	24	2	19	34	195

GN 824-C

Code	Description	d1													Spring preload [N]	Spring max load [N]	
		Plunger -0.02 -0.04 Hole H8	d2	d3	b1	b2	k	l1	l2	l3	l4	l5	sw	sw1		⚖	
GN.82202	GN 824-5-5-C-NI	7	M 12 x 1.5	23	5	2.5	20	5	51.3	20	11.3	1	17	2	9	18	46
GN.82204	GN 824-6-6-C-NI	8	M 16 x 1.5	28	6	3	24	6	61.5	24	13.5	1.2	22	2	13	23	53
GN.82206	GN 824-8-7,5-C-NI	10	M 16 x 1.5	28	8	4	24	7.5	61.5	24	13.5	1.2	22	2	15	31	96
GN.82208	GN 824-9-8,5-C-NI	12	M 20 x 1.5	33	9	4.5	28	8.5	72.8	30	14.8	1.2	24	2	19	34	157

GN 824-CK

Code	Description	d1													Spring preload [N]	Spring max load [N]	
		Plunger -0.02 -0.04 Hole H8	d2	d3	b1	b2	k	l1	l2	l3	l4	l5	sw	sw1		⚖	
GN.82212	GN 824-5-5-CK-NI	7	M 12 x 1.5	23	5	2.5	20	5	51.3	20	11.3	1	17	2	9	18	55
GN.82214	GN 824-6-6-CK-NI	8	M 16 x 1.5	28	6	3	24	6	61.5	24	13.5	1.2	22	2	13	23	71
GN.82216	GN 824-8-7,5-CK-NI	10	M 16 x 1.5	28	8	4	24	7.5	61.5	24	13.5	1.2	22	2	15	31	114
GN.82218	GN 824-9-8,5-CK-NI	12	M 20 x 1.5	33	9	4.5	28	8.5	72.8	30	14.8	1.2	24	2	19	34	195



Indexing and positioning elements